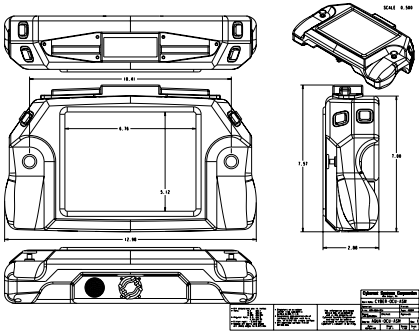
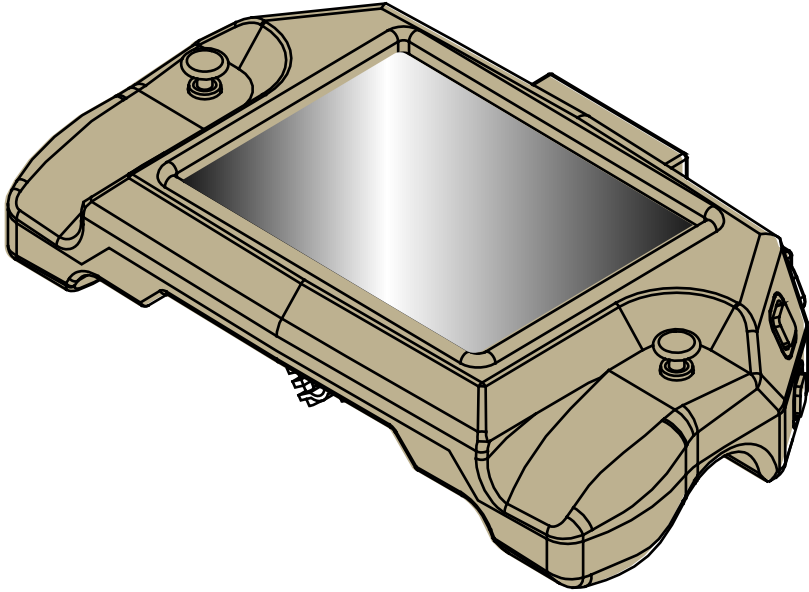




OperatorControlUnit



Cybernet's Operator Control Unit (OCU) is intended for field-based control of unmanned robotic platforms. We have designed a controller that is compatible with the soldier's existing field uniform and equipment, incorporating advanced control technologies that offer more natural, intuitive, and effective interaction with the robot. The user interface is software based, using pull down menus and dynamic icons to offer maximum flexibility for controlling a range of robotic platforms.

What's Included

The system consists of a handheld computer display and a wearable vest. The vest contains nearly half of the necessary electronics for power and communications, and this configuration keeps the handheld display light and convenient to use. During operation, the soldier holds the display and controls platform using thumbpad input or touchscreen inputs. Data is sent and received from an unmanned platform over an IEEE 802.11b wireless link. Compressed video is displayed using a dedicated on-board hardware codec.

Special Features

The system has been designed to be highly modular and flexible. Any component can be replaced or upgraded as new technology becomes available. The system will also be JAUGS compatible, which makes the OCU ideal for controlling all newly developed platforms in the Joint Robotics Program (JRP).